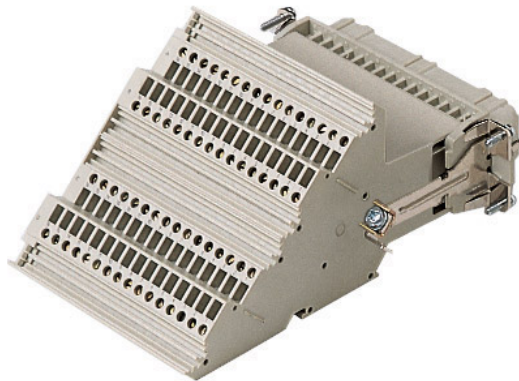


Part number


CTSF 64 R



Brief description:

female insert, 64 poles + PE, with terminal block, spring terminal connection, 10A 250V, 4kV, 3, silver plated, size "104.27" only bulkhead mounted housing, CLASS insert series

Product description

Model	female insert
Version	with terminal block, spring terminal connection
Series	CTS
Product type	with female contacts
Variant	right side mounting
Family	CLASS inserts
Size	size "104.27" only bulkhead mounted housing
N. of poles	64 poles + 

Technical data

Current	10 A (A.C. and D.C.)
Voltage	250 V
Rated impulse withstand voltage	4kV
Pollution degree	3
Wire cross-section	0,14 mm ² - 2,50 mm ²
AWG size	26 - 14
Operating temperature range (min, max)	-50°C ... +70°C
Contact type	silver plated
Mating cycles	≥ 200
IP degree of protection	IP20 without enclosure, IP65, IP66, IP67 and IP69K with enclosure

Further technical details

Characteristics according to EN 61984	100A 690V 8kV 3 (aux: 16A 400V 6kV 3)
Insulation resistance	≥ 1 GΩ
Rated voltage according to UL/CSA	600V
UL 94 flammability rating	V-0
Weight	500,00 g

Approvals / Standards

Reference standard	EN 61984 (2001-11)
Quality mark	 , EAC
Conformity	CQC, CE

General ordering information

EAN13 code	8015747041546
Tariff number	85369095
Country of origin	Made in EU (IT)
ETIM classification	EC000438

Packaging Information

Sub-packaging length	145,00 mm
Sub-packaging height	89,00 mm
Sub-packaging width	120,00 mm
Sub-packaging weight	0,50 kg
Sub-packaging volume	1,55 dm ³
Sub-packaging description	Carton Box
Sub-packaging quantity	1 Pcs
Sub-packaging EAN barcode	8015747041553

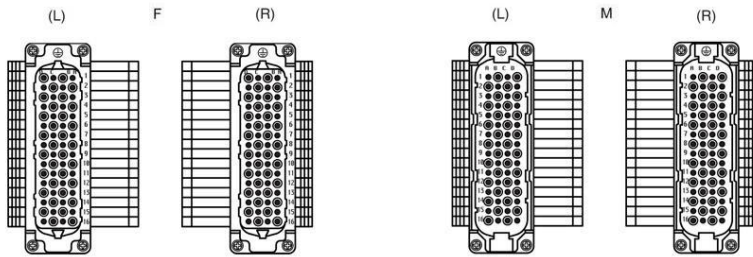
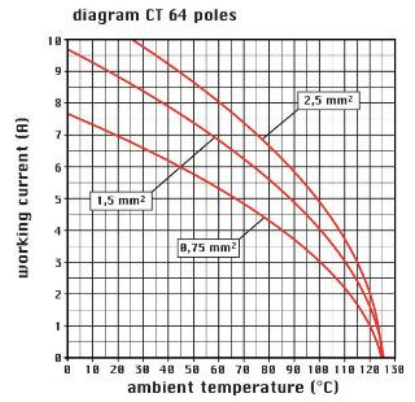
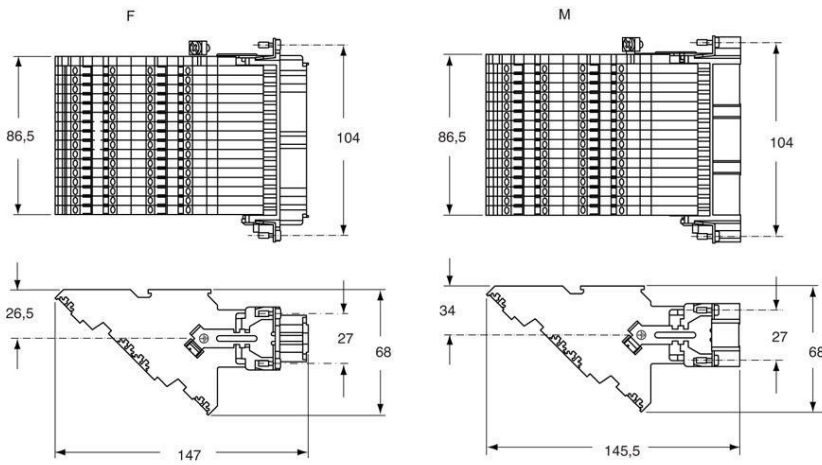
Part number

CTSF 64 R



Catalogue drawings

Catalogue drawings



Notes

Spring terminal connection.

